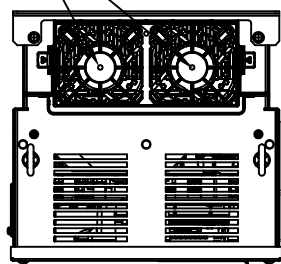
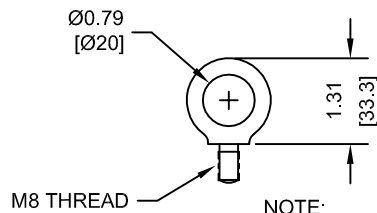


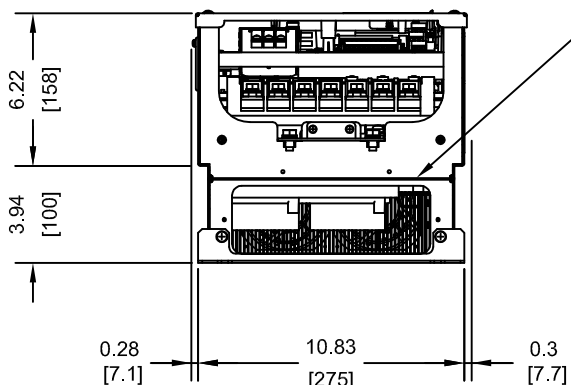
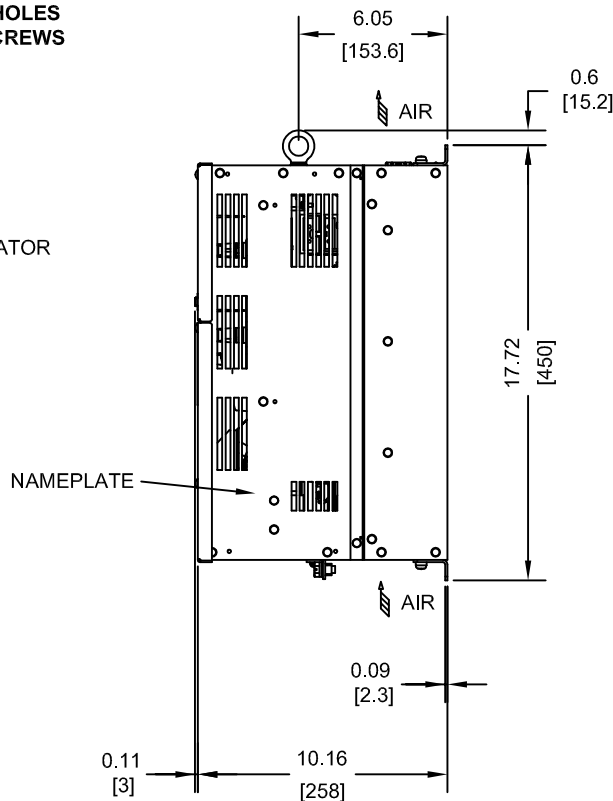
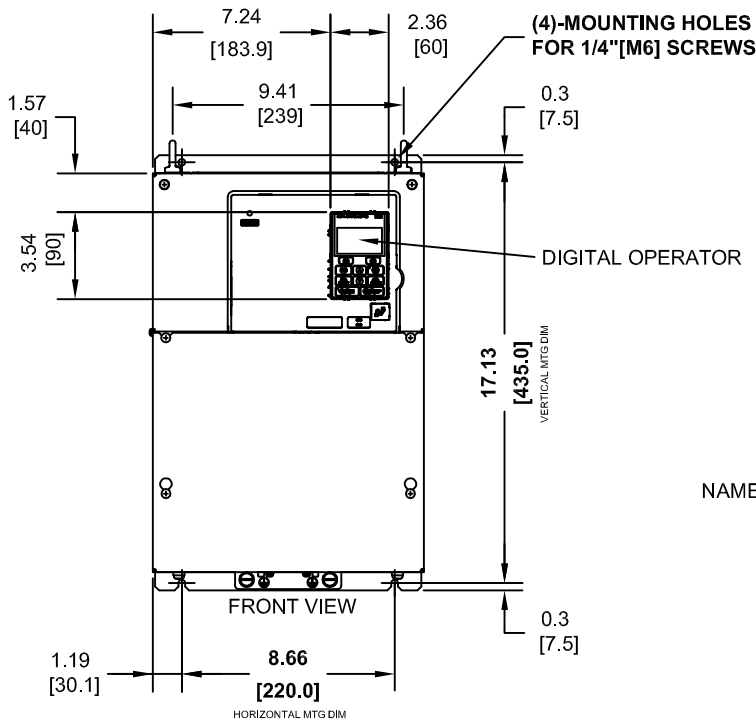
(2) EXTERNAL COOLING FANS



LIFTING AND EYEBOLT DETAILS



NOTE:  
SPREADER BAR REQUIRED TO AVOID DAMAGE DURING LIFTING



WHEN USING AN EXTERNAL MOUNT HEATSINK, UL COMPLIANCE REQUIRES COVERING EXPOSED CAPACITORS IN THE MAIN CIRCUIT TO PREVENT INJURY. CONSULT MANUAL FOR DETAILS.

MODEL # CIMR-RU	VOLTAGE THREE-PHASE (VAC)	OUTPUT CAPACITY (kW)	WEIGHT LBS (Kg)	HEAT LOSS (W)		
				INT	EXT	TOT
2A0035AXX	200/240	35	46.2 (21.0)	127	295	422
4A0035AXX	380/480	35	44.0 (20.0)	74	169	243
4A0043AXX		43	44.0 (20.0)	91	221	312

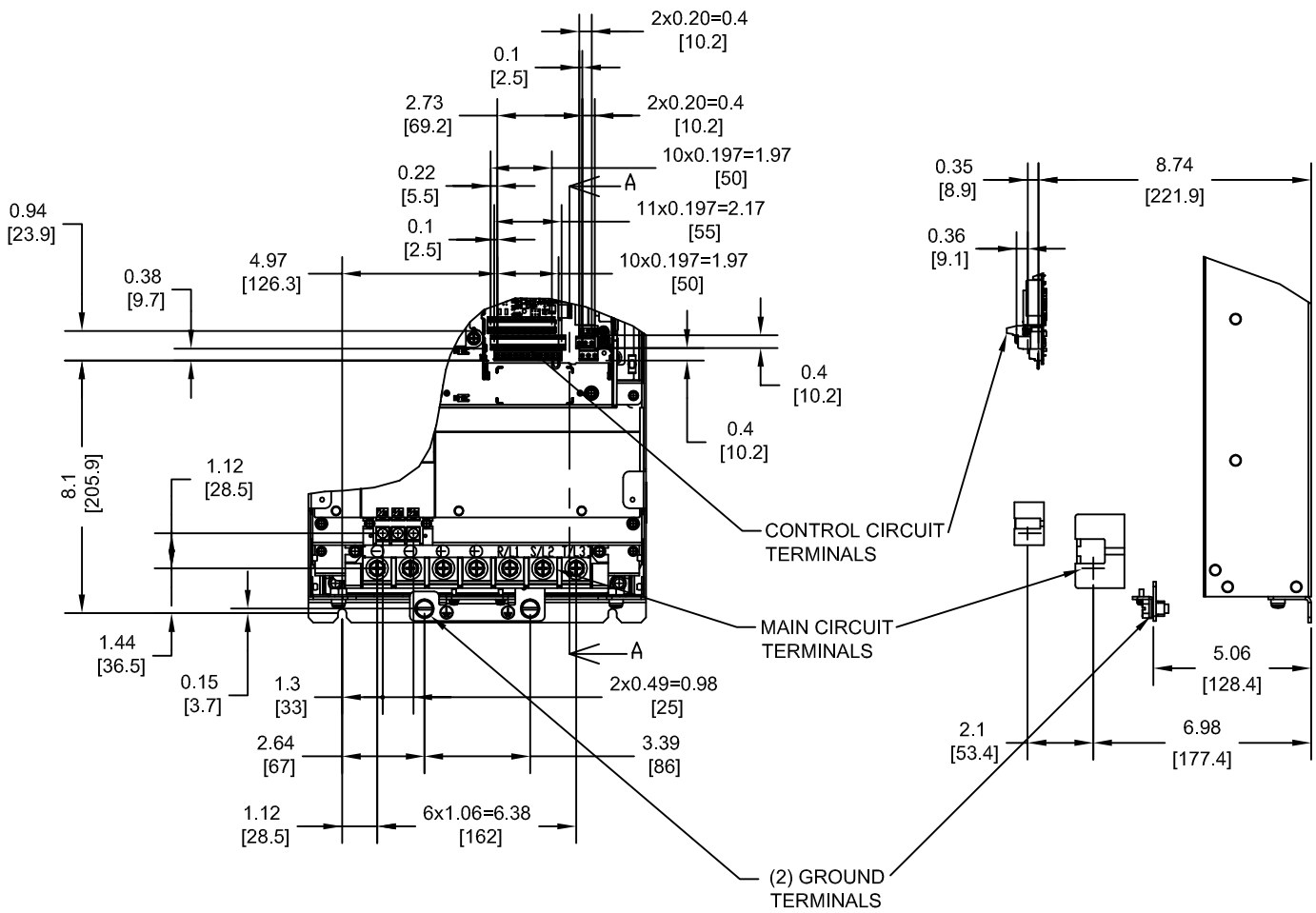
NOTES:  
XX DENOTES AA-ZZ

INT=INTERNAL COMPONENTS  
EXT=EXTERNAL HEATSINK  
TOT=TOTAL

FOR ADDITIONAL DETAILS AND SPECIFICATIONS, CONSULT MANUAL

TOLERANCES / REFERENCES:		<p>THIS DOCUMENT AND INFORMATION CONTAINED IN IT ARE CONFIDENTIAL, AND CANNOT BE COPIED OR DISCLOSED IN WHOLE OR IN PART WITHOUT THE EXPRESS WRITTEN CONSENT OF YASKAWA AMERICA, INC.</p>	DRAWN: J. MATTAS DATE 9-2-14	TITLE: R1000 DIMENSION DRAWING FRAME SIZE 4 IP00 ENCLOSURE 2A0035A, 4A0035A & 4A0043A			
UNITS: IN[mm]			SCALE: 1:8	CHECKED: J. PIOTROWSKI DATE 10-7-14	SIZE A	REVISION R00	PAGE 1 of 3
			APPROVED: J. CAIRO DATE 11-18-14	TECH: J. BORJA DATE 9-22-14	DRAWING #: <b>DD.R1K.FR4.IP00</b>		
			ORIGINAL DESIGN: -	DATE -			

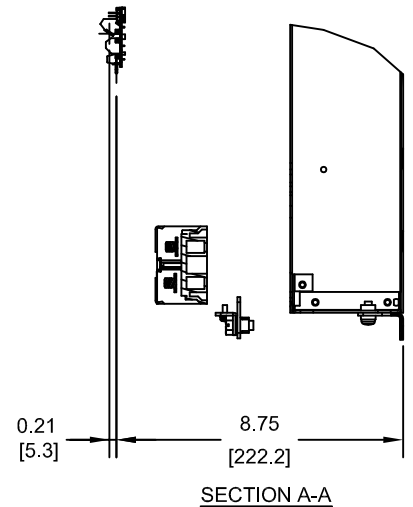
TERMINAL AND WIRING DETAILS (SCALE 1:6)



TERMINAL AND WIRE SPECIFICATIONS FOR MAIN CIRCUIT AND GROUND

MODEL # CIMR-RU	TERMINAL SYMBOL	TERMINAL SCREW	CLAMPING TORQUE lb.in.(N.m.)	WIRE RANGE AWG(mm <sup>2</sup> )
2A0035A 4A0035A 4A0043A	R/L1, S/L2, T/L3, ⊖, ⊕	M8	47.8 TO 53.1 (5.4 TO 6)	6-2/0 (16-70)
	r1/211, s1/221, t1/231	M4	9.7 TO 10.6 (1.1 TO 1.2)	14-10 (2.5-6)
	⊕	M8	79.7 TO 97.4 (9.0 TO 11)	8-6 (10-16)

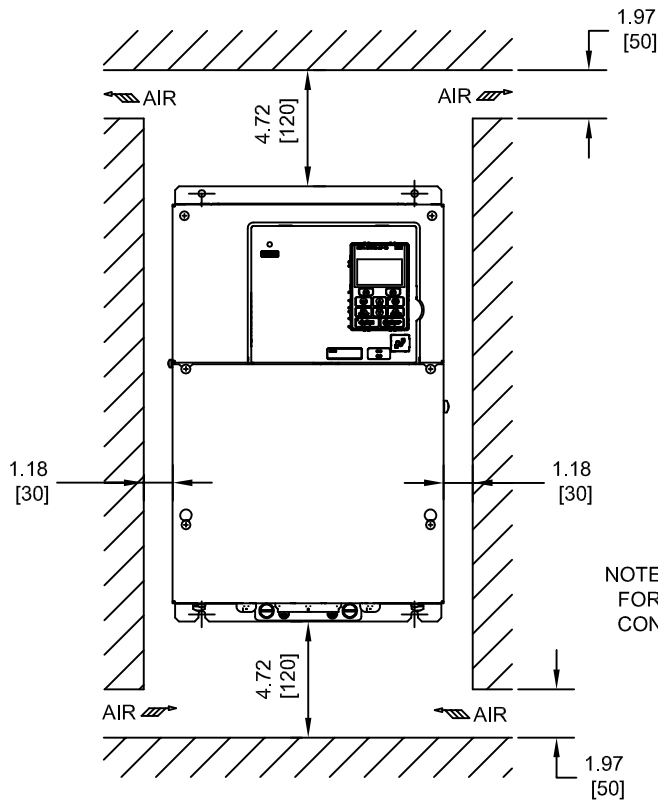
NOTE: REFER TO APPLICABLE CODES FOR PROPER WIRE TYPE AND SIZE



FOR ADDITIONAL DETAILS AND SPECIFICATIONS, CONSULT MANUAL

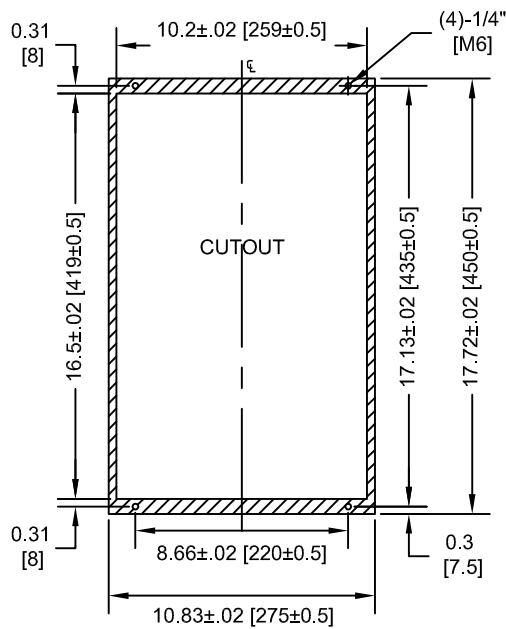
TOLERANCES / REFERENCES:			DRAWN: J. MATTAS	DATE 9-2-14	TITLE: R1000 DIMENSION DRAWING		
UNITS: IN[mm]			SCALE: BY VIEW	CHECKED: J. PIOTROWSKI	DATE 10-7-14	FRAME SIZE 4	
		THIS DOCUMENT AND INFORMATION CONTAINED IN IT ARE CONFIDENTIAL, AND CANNOT BE COPIED OR DISCLOSED IN WHOLE OR IN PART WITHOUT THE EXPRESS WRITTEN CONSENT OF YASKAWA AMERICA, INC.	TECH: J. BORJA	DATE 9-22-14	IP00 ENCLOSURE		
			APPROVED: J. CAIRO	DATE 11-18-14	SIZE A	REVISION R00	PAGE 2 of 3
			ORIGINAL DESIGN: -	DATE -	DRAWING #: DD.R1K.FR4.IP00		

MINIMUM INSTALLATION CLEARANCES (SCALE 1:8)



NOTE:  
FOR SIDE-BY-SIDE MOUNTING  
CONSULT MANUAL

PANEL CUTOUT FOR EXTERNAL HEATSINK  
MOUNTING CONFIGURATION (SCALE 1:8)



NOTE:  
EXPOSED HEATSINK DEPTH  
D=3.94" MINUS PANEL THICKNESS

FOR ADDITIONAL DETAILS AND SPECIFICATIONS, CONSULT MANUAL

TOLERANCES / REFERENCES:			DRAWN: J. MATTAS CHECKED: J. PIOTROWSKI TECH: J. BORJA APPROVED: J. CAIRO ORIGINAL DESIGN: -	DATE 9-2-14 DATE 10-7-14 DATE 9-22-14 DATE 11-18-14 DATE -	TITLE: R1000 DIMENSION DRAWING FRAME SIZE 4 IP00 ENCLOSURE 2A0035A, 4A0035A & 4A0043A
UNITS: IN[mm]	SCALE: BY VIEW		THIS DOCUMENT AND INFORMATION CONTAINED IN IT ARE CONFIDENTIAL, AND CANNOT BE COPIED OR DISCLOSED IN WHOLE OR IN PART WITHOUT THE EXPRESS WRITTEN CONSENT OF YASKAWA AMERICA, INC.	SIZE A REVISION R00 DRAWING # DD.R1K.FR4.IP00	PAGE 3 of 3